

Modification notice of outer box dimension change of G6B-2 series for quality improvement in transit.

[Effective Date]

Effective as of our production in March, 2018

[Applicable Model]

Model G6B-2 series

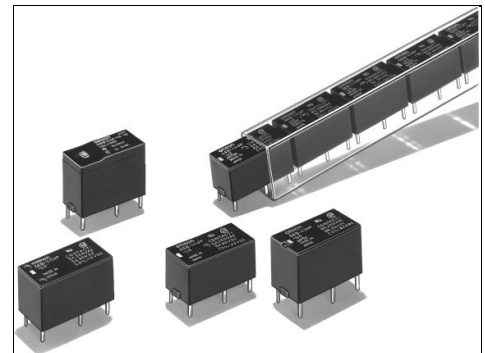
< Refer to the "[Details of applicable model]" . >

[Reason for change]

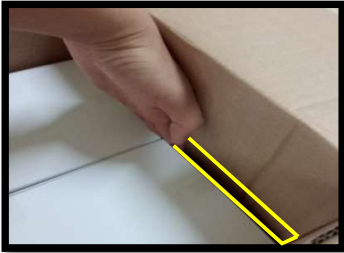
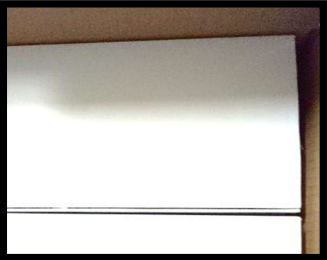
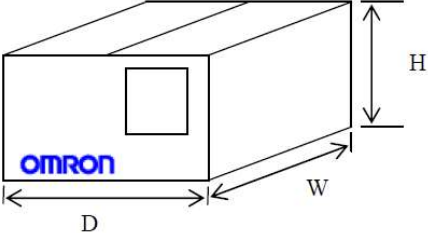
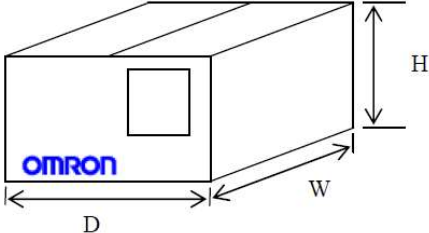
For quality improvement

[Change of products specification]

Unnecessary



[Changes]

Before the change	After the change
<p>Gap between outer box and inner box There is a gap between the outer box and the inner box.</p> 	<p>Gap between outer box and inner box The gap between the outer box and the inner box is getting narrower.</p> 
<p>Size of outer box Size of current outer box W:319mm D:264mm H:168mm.</p> 	<p>Size of outer box Size of changed outer box W:311mm D:264mm H:155mm</p> 

*This document had been distributed by Omron Electronic Components Europe BV.

[Details of applicable model]

Models	Specification
G6B-2114P-1-US-7	DC12 BY OMZ/C
G6B-2114P-1-US-7	DC24 BY OMZ/C
G6B-2114P-1-US-7	DC48 BY OMZ/C
G6B-2114P-1-US-7	DC5 BY OMZ/C
G6B-2114P-1-US-7S	DC24 OMZ/C
G6B-2114P-1-US-AP-7	DC24 OMZ/C
G6B-2114P-1-US-DM	DC5 BY OMZ
G6B-2114P-1-US-KN	DC12 BY OMZ
G6B-2114P-1-US-KN	DC24 BYOMZ/C
G6B-2114P-1-US-KN	DC4.5 OMZ/C
G6B-2114P-1-US-KN	DC48 BY OMZ
G6B-2114P-1-US-KN	DC48 BYOMZ/C
G6B-2114P-1-US-KN	DC5 BY OMZ/C
G6B-2114P-US-NR	DC48 BY OMZ
G6B-2114P-US-SK	DC12 BY OMZ
G6B-2114P-US-U-SP-YE	DC24 BY O
G6B-2214P-1-US-7	DC12 BY OMZ/C
G6B-2214P-1-US-7	DC24 BY OMZ/C
G6B-2214P-1-US-7	DC48 BY OMZ/C
G6B-2214P-1-US-7	DC5 BY OMZ/C
G6B-2214P-1-US-AP-7	DC24 OMZ/C
G6B-2214P-1-US-KN	DC12 BY OMZ
G6B-2214P-1-US-KN	DC12 OMZ/C
G6B-2214P-1-US-KN	DC24 BYOMZ/C
G6B-2214P-1-US-KN	DC4.5 OMZ/C
G6B-2214P-1-US-KN	DC48 BY OMZ
G6B-2214P-1-US-KN	DC5 BY OMZ
G6B-2214P-1-US-KN	DC5 BY OMZ/C
G6BK-2114P-1-US-7	DC12 BYOMZ/C
G6BK-2114P-1-US-7	DC24 OMZ/C
G6BK-2114P-1-US-7	DC5 BY OMZ/C
G6BK-2114P-1-US-AP-7	DC24OMZ/C
G6BK-2114P-1-US-KN	DC12 BY OMZ
G6BK-2114P-1-US-KN	DC24 BY OMZ
G6BK-2114P-1-US-KN	DC24 OMZ/C
G6BK-2114P-1-US-KN	DC5 BY OMZ
G6BK-2114P-1-US-KN	DC5 BYOMZ/C
G6BK-2214P-1-US	DC12 BY OMZ
G6BK-2214P-1-US-7	DC12 BYOMZ/C
G6BK-2214P-1-US-7	DC24 BY OMZ
G6BK-2214P-1-US-7	DC24 BYOMZ/C
G6BK-2214P-1-US-7	DC5 BY OMZ/C
G6BK-2214P-1-US-AP-7	DC24OMZ/C
G6BK-2214P-1-US-KN	DC12BYOMZ/C
G6BK-2214P-1-US-KN	DC24BYOMZ/C
G6BK-2214P-1-US-KN	DC4.5 OMZ/C
G6BK-2214P-1-US-KN	DC5 BY OMZ
G6BK-2214P-1-US-KN	DC5 BYOMZ/C

Models	Specification
G6BU-2114P-1-US	DC12 BY OMZ
G6B-2014P-FD-KE	DC24 BY OMZ
G6B-2014C-FD-US	DC12 BY OMZ
G6B-2014C-FD-US	DC24 BY OMZ
G6B-2014C-US	DC12 BY OMZ
G6B-2014C-US	DC12 BY OMZ/C
G6B-2014C-US	DC24 BY OMZ
G6B-2014C-US	DC5 BY OMZ
G6B-2014C-US	DC6 BY OMZ
G6B-2014P-1-L	DC48 BY OMZ
G6B-2014P-1-TS	DC24 BY OMZ
G6B-2014P-1-US	DC24 BY OMZ
G6B-2014P-1-US	DC24 BY OMZ/C
G6B-2014P-AS	DC24 BY OMZ
G6B-2014P-FD-US	DC12 BY OMZ
G6B-2014P-FD-US	DC12 BY OMZ/C
G6B-2014P-FD-US	DC24 BY OMZ
G6B-2014P-FD-US	DC24 BY OMZ/C
G6B-2014P-FD-US	DC5 BY OMZ
G6B-2014P-FD-US	DC5 BY OMZ/C
G6B-2014P-FD-US-P6B	DC24 BY OM
G6B-2014P-FD-US-U	DC12 BY OMZ
G6B-2014P-FD-US-U	DC24 BY OMZ
G6B-2014P-FD-US-U	DC5 BY OMZ
G6B-2014P-KD	DC24 BY OMZ
G6B-2014P-KE	DC24 BY OMZ
G6B-2014P-RB	DC24 BY OMZ
G6B-2014P-US	DC12 BY OMZ
G6B-2014P-US	DC12 BY OMZ/C
G6B-2014P-US	DC24 BY OMZ
G6B-2014P-US	DC24 BY OMZ/C
G6B-2014P-US	DC48 BY OMZ
G6B-2014P-US	DC48 BY OMZ/C
G6B-2014P-US	DC5 BY OMZ
G6B-2014P-US	DC5 BY OMZ/C
G6B-2014P-US	DC6 BY OMZ
G6B-2014P-US	DC6 BY OMZ/C
G6B-2014P-US	SP DC5 BY OMZ
G6B-2014P-US-DE	DC24 BY OMZ
G6B-2014P-US-P6B	DC12 BY OMZ
G6B-2014P-US-P6B	DC24 BY OMZ
G6B-2014P-US-P6B	DC24 BY OMZ/C
G6B-2014P-US-P6B	DC48 BY OMZ
G6B-2014P-US-P6B	DC5 BY OMZ
G6B-2014P-US-P6B	DC6 BY OMZ
G6B-2014P-US-P6B	DC9 BY OMZ
G6B-2014P-US-TD	DC24 BY OMZ
G6B-2014P-US-U	DC12 BY OMZ

Models	Specification
G6B-2014P-US-U	DC12 BY OMZ/C
G6B-2014P-US-U	DC24 BY OMZ
G6B-2014P-US-U	DC24 BY OMZ/C
G6B-2014P-US-U	DC5 BY OMZ
G6B-2114C-FD-US	DC12 BY OMZ
G6B-2114C-FD-US	DC24 BY OMZ
G6B-2114C-FD-US	DC5 BY OMZ
G6B-2114C-US	DC12 BY OMZ
G6B-2114C-US	DC12 BY OMZ/C
G6B-2114C-US	DC24 BY OMZ
G6B-2114C-US	DC5 BY OMZ
G6B-2114C-US	DC6 BY OMZ
G6B-2114P-1	DC16 BY OMZ
G6B-2114P-1-US	DC12 BY OMZ
G6B-2114P-1-US	DC12 BY OMZ/C
G6B-2114P-1-US	DC16 BY OMZ
G6B-2114P-1-US	DC24 BY OMZ
G6B-2114P-1-US	DC24 BY OMZ/C
G6B-2114P-1-US	DC48 BY OMZ
G6B-2114P-1-US	DC48 BY OMZ/C
G6B-2114P-1-US	DC5 BY OMZ
G6B-2114P-1-US	DC5 BY OMZ/C
G6B-2114P-1-US	DC6 BY OMZ
G6B-2114P-1-US	DC9 BY OMZ
G6B-2114P-1-US-AP1	DC12 BY OMZ
G6B-2114P-1-US-AP1	DC24 BY OMZ
G6B-2114P-1-US-U	DC12 BY OMZ
G6B-2114P-1-US-XJ	DC24 BY OMZ
G6B-2114P-FD-1-US	DC12 BY OMZ
G6B-2114P-FD-1-US	DC24 BY OMZ
G6B-2114P-FD-US	DC12 BY OMZ
G6B-2114P-FD-US	DC24 BY OMZ
G6B-2114P-FD-US	DC24 BY OMZ/C
G6B-2114P-FD-US	DC5 BY OMZ
G6B-2114P-FD-US	DC5 BY OMZ/C
G6B-2114P-FD-US	DC6 BY OMZ
G6B-2114P-FD-US-AP-CEDC24	BYOMZ
G6B-2114P-FD-US-P6B	DC12 BY OM
G6B-2114P-FD-US-P6B	DC24 BY OM
G6B-2114P-FD-US-P6B	DC5 BY OMZ
G6B-2114P-FD-US-U	DC12 BY OMZ
G6B-2114P-FD-US-U	DC24 BY OMZ
G6B-2114P-FD-US-U	DC24 BY OMZ/C
G6B-2114P-FD-US-U	DC5 BY OMZ
G6B-2114P-US	DC12 BY OMZ
G6B-2114P-US	DC12 BY OMZ/C
G6B-2114P-US	DC24 BY OMZ
G6B-2114P-US	DC24 BY OMZ/C
G6B-2114P-US	DC4.5 BY OMZ

Models	Specification
G6B-2114P-US	DC48 BY OMZ
G6B-2114P-US	DC48 BY OMZ/C
G6B-2114P-US	DC5 BY OMZ
G6B-2114P-US	DC5 BY OMZ/C
G6B-2114P-US	DC6 BY OMZ
G6B-2114P-US	DC6 BY OMZ/C
G6B-2114P-US	DC8 BY OMZ
G6B-2114P-US	DC9 BY OMZ
G6B-2114P-US	DC9 BY OMZ/C
G6B-2114P-US-AP	DC12 BY OMZ
G6B-2114P-US-AP	DC24 BY OMZ
G6B-2114P-US-AP1	DC24 BY OMZ
G6B-2114P-US-P6B	DC12 BY OMZ
G6B-2114P-US-P6B	DC24 BY OMZ
G6B-2114P-US-P6B	DC24 BY OMZ/C
G6B-2114P-US-P6B	DC48 BY OMZ
G6B-2114P-US-P6B	DC5 BY OMZ
G6B-2114P-US-P6B	DC5 BY OMZ/C
G6B-2114P-US-P6B	DC6 BY OMZ
G6B-2114P-US-P6B	DC9 BY OMZ
G6B-2114P-US-SP	DC24 BY OMZ
G6B-2114P-US-U	DC12 BY OMZ
G6B-2114P-US-U	DC12 BY OMZ/C
G6B-2114P-US-U	DC24 BY OMZ
G6B-2114P-US-U	DC24 BY OMZ/C
G6B-2114P-US-U	DC5 BY OMZ
G6B-2114P-US-U	DC5 BY OMZ/C
G6B-2214C-FD-US	DC12 BY OMZ
G6B-2214C-FD-US	DC24 BY OMZ
G6B-2214C-FD-US	DC5 BY OMZ
G6B-2214C-US	DC12 BY OMZ
G6B-2214C-US	DC12 BY OMZ/C
G6B-2214C-US	DC24 BY OMZ
G6B-2214C-US	DC24 BY OMZ/C
G6B-2214C-US	DC5 BY OMZ
G6B-2214C-US-U	DC12 BY OMZ
G6B-2214C-US-U	DC24 BY OMZ
G6B-2214P-1-TS	DC24 BY OMZ
G6B-2214P-1-US	DC12 BY OMZ
G6B-2214P-1-US	DC12 BY OMZ/C
G6B-2214P-1-US	DC24 BY OMZ
G6B-2214P-1-US	DC24 BY OMZ/C
G6B-2214P-1-US	DC3 BY OMZ
G6B-2214P-1-US	DC48 BY OMZ
G6B-2214P-1-US	DC48 BY OMZ/C
G6B-2214P-1-US	DC5 BY OMZ
G6B-2214P-1-US	DC5 BY OMZ/C
G6B-2214P-1-US	DC6 BY OMZ
G6B-2214P-1-US-7S	DC24 OMZ/C

Models	Specification
G6B-2214P-1-US-AP1	DC12 BY OMZ
G6B-2214P-1-US-AP1	DC24 BY OMZ
G6B-2214P-1-US-P6B	DC24 BY OMZ
G6B-2214P-1-US-XJ	DC24 BY OMZ
G6B-2214P-FD-1-US	DC24 BY OMZ
G6B-2214P-FD-US	DC12 BY OMZ
G6B-2214P-FD-US	DC12 BY OMZ/C
G6B-2214P-FD-US	DC24 BY OMZ
G6B-2214P-FD-US	DC24 BY OMZ/C
G6B-2214P-FD-US	DC5 BY OMZ
G6B-2214P-FD-US	DC5 BY OMZ/C
G6B-2214P-FD-US	DC6 BY OMZ
G6B-2214P-FD-US-AP-CE	DC24BYOMZ
G6B-2214P-FD-US-P6B	DC12 BY OM
G6B-2214P-FD-US-P6B	DC24 BY OM
G6B-2214P-FD-US-P6B	DC5 BY OMZ
G6B-2214P-FD-US-PI	DC12 BY OMZ
G6B-2214P-FD-US-PI	DC12BYOMZ/C
G6B-2214P-FD-US-U	DC12 BY OMZ
G6B-2214P-FD-US-U	DC24 BY OMZ
G6B-2214P-FD-US-U	DC5 BY OMZ
G6B-2214P-US	DC12 BY OMZ
G6B-2214P-US	DC12 BY OMZ/C
G6B-2214P-US	DC24 BY OMZ
G6B-2214P-US	DC24 BY OMZ/C

Models	Specification
G6B-2214P-US	DC48 BY OMZ
G6B-2214P-US	DC48 BY OMZ/C
G6B-2214P-US	DC5 BY OMZ
G6B-2214P-US	DC5 BY OMZ/C
G6B-2214P-US	DC6 BY OMZ
G6B-2214P-US	DC6 BY OMZ/C
G6B-2214P-US	DC9 BY OMZ
G6B-2214P-US-AP	DC24 BY OMZ
G6B-2214P-US-P6B	DC12 BY OMZ
G6B-2214P-US-P6B	DC12 BY OMZ/C
G6B-2214P-US-P6B	DC24 BY OMZ
G6B-2214P-US-P6B	DC24 BY OMZ/C
G6B-2214P-US-P6B	DC48 BY OMZ
G6B-2214P-US-P6B	DC5 BY OMZ
G6B-2214P-US-P6B	DC6 BY OMZ
G6B-2214P-US-P6B	DC9 BY OMZ
G6B-2214P-US-U	DC12 BY OMZ
G6B-2214P-US-U	DC12 BY OMZ/C
G6B-2214P-US-U	DC24 BY OMZ
G6B-2214P-US-U	DC24 BY OMZ/C
G6B-2214P-US-U	DC5 BY OMZ
G6B-2214P-US-U	DC6 BY OMZ
G6BU-2114P-1-US	DC3 BY OMZ

Specifications in this product news are as of the issue date and are subject to change without notice. Only main changes in specifications are described in this document. Please be sure to read the relevant catalogs, datasheets, product specifications, instructions, and manuals for precautions and necessary information when using products.